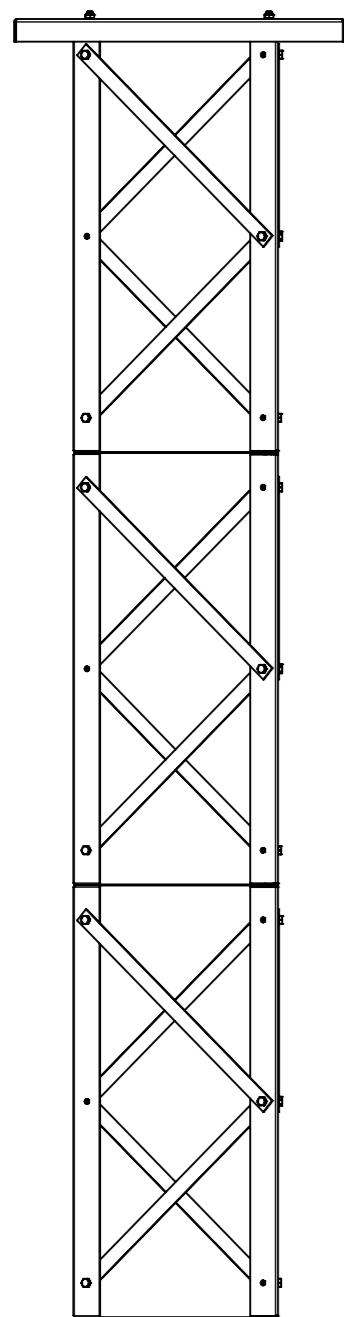
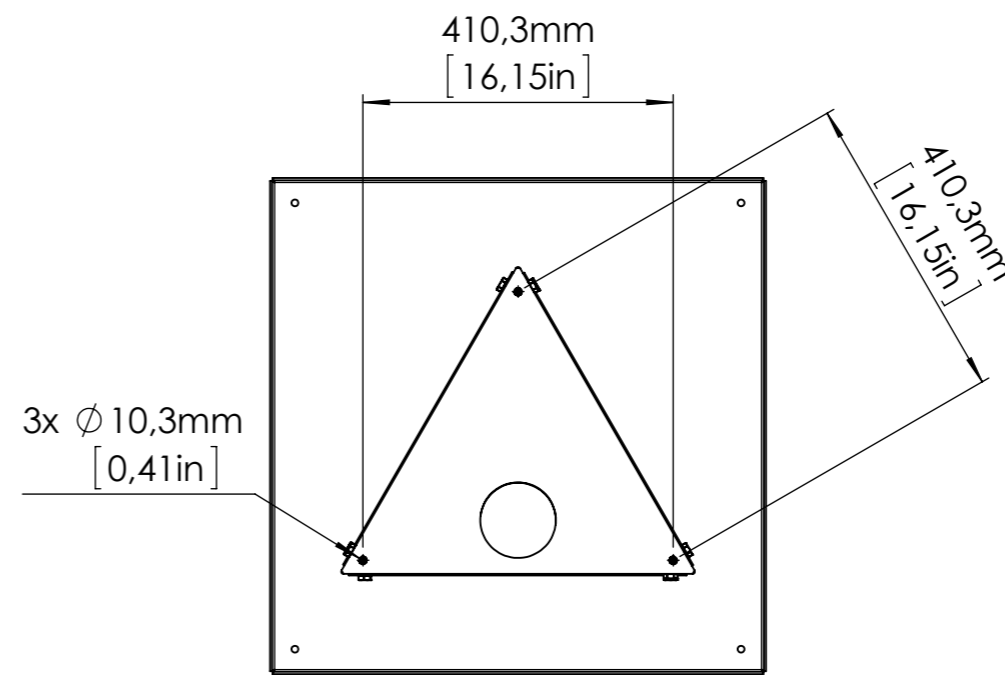
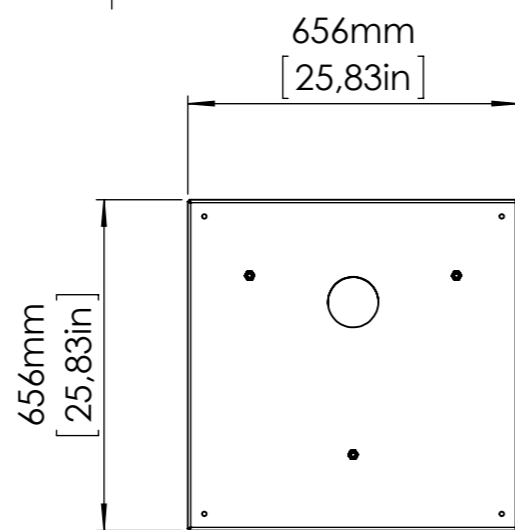
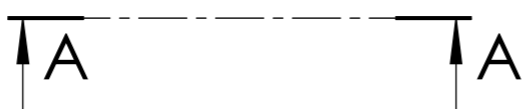
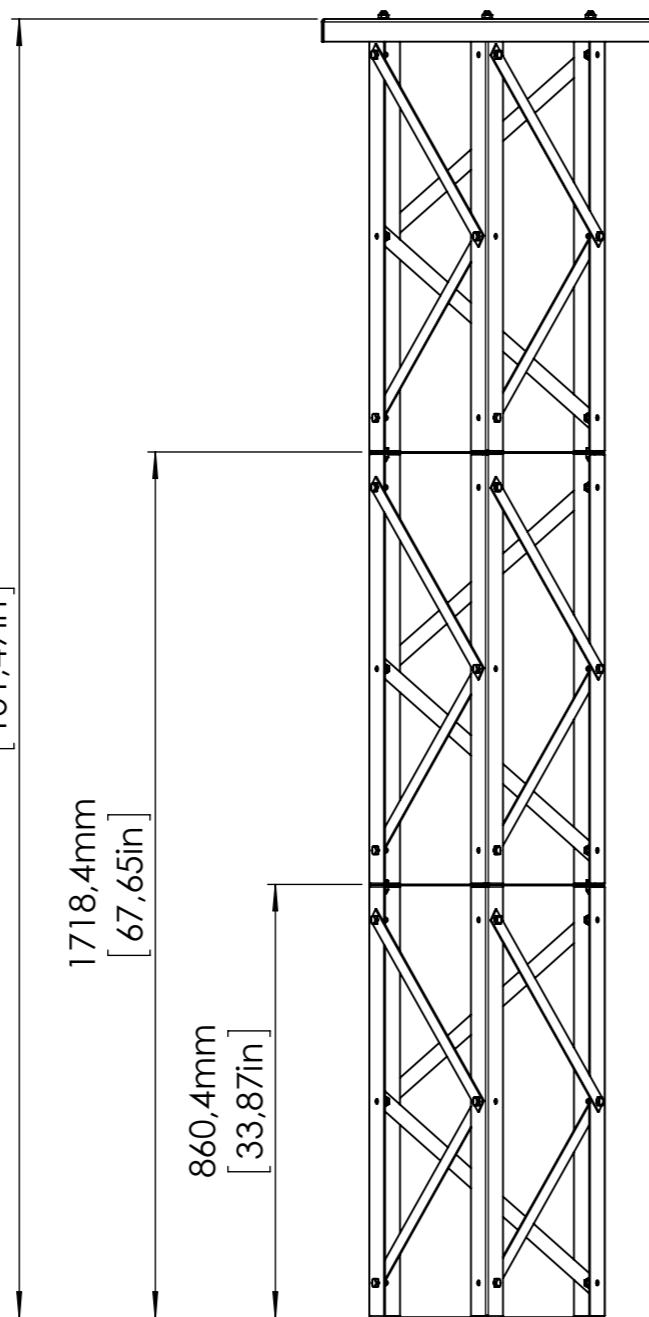


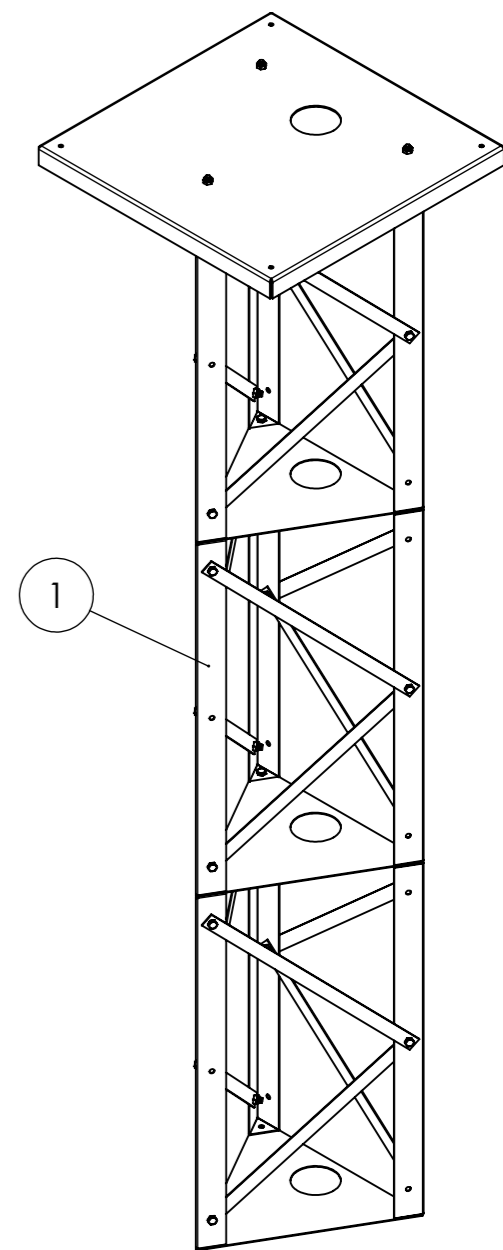
This document is property of 3nine AB, and may not without our written permission be copied, imparted to a third party or used for any unauthorized purpose.



2577,4mm
[101,47in]



A-A (1 : 10)



1	1	Pillar Stand	MR142-448		
Item	Qty	Description	Drawing/material	Dimension	Ref.std./Notes
Surface conditioning			Heat treatment		Scale
General tolerance SS-ISO 2768		General roughness, Ra		Asm.	1:15
Drawn	131107	Sign	FE	Denomination	
Check.		Sign		Pillar Stand	
			Nina Lova		
			Article nr.	250-020	Drawing nr.

A B C D E F G H

6
5
4
3
2
1