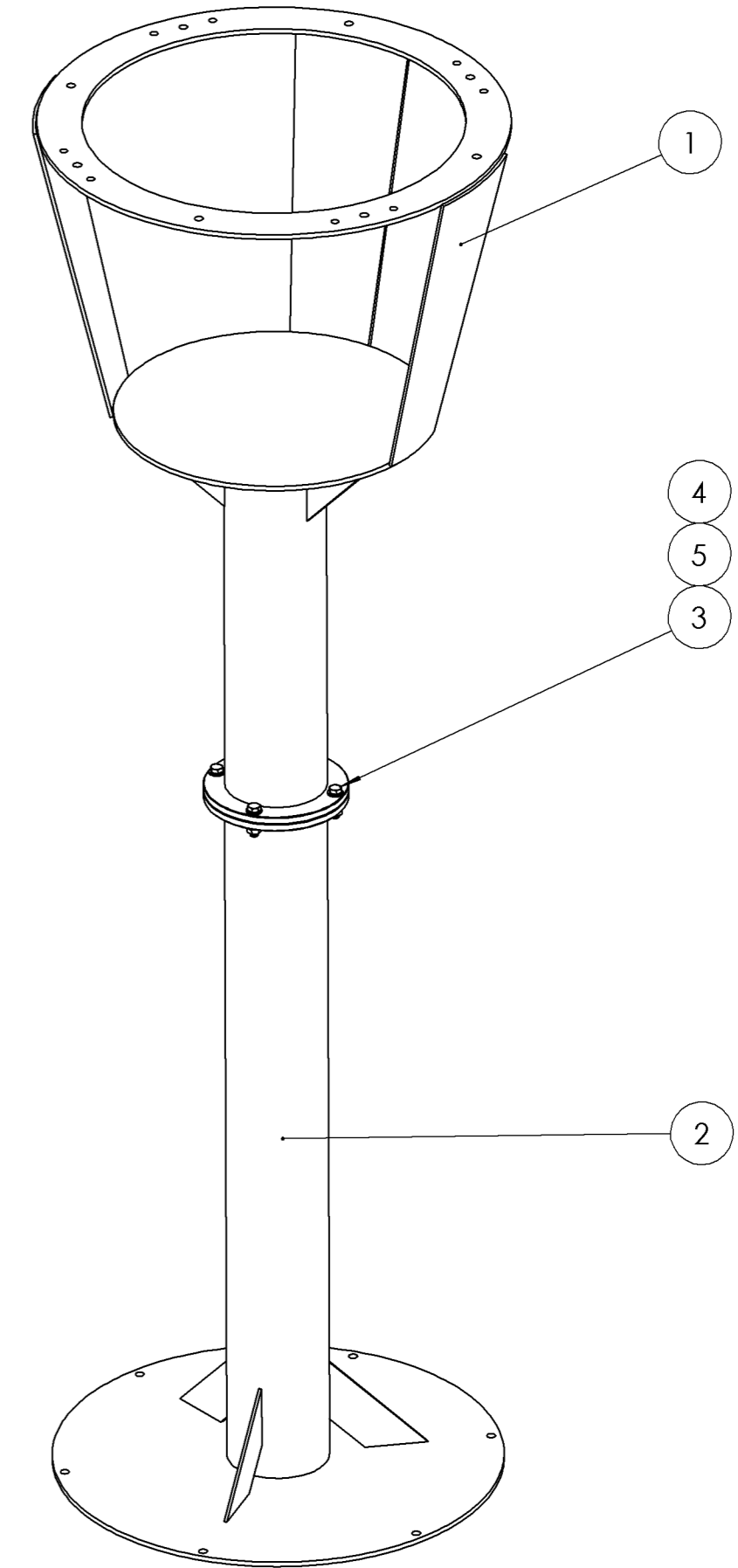
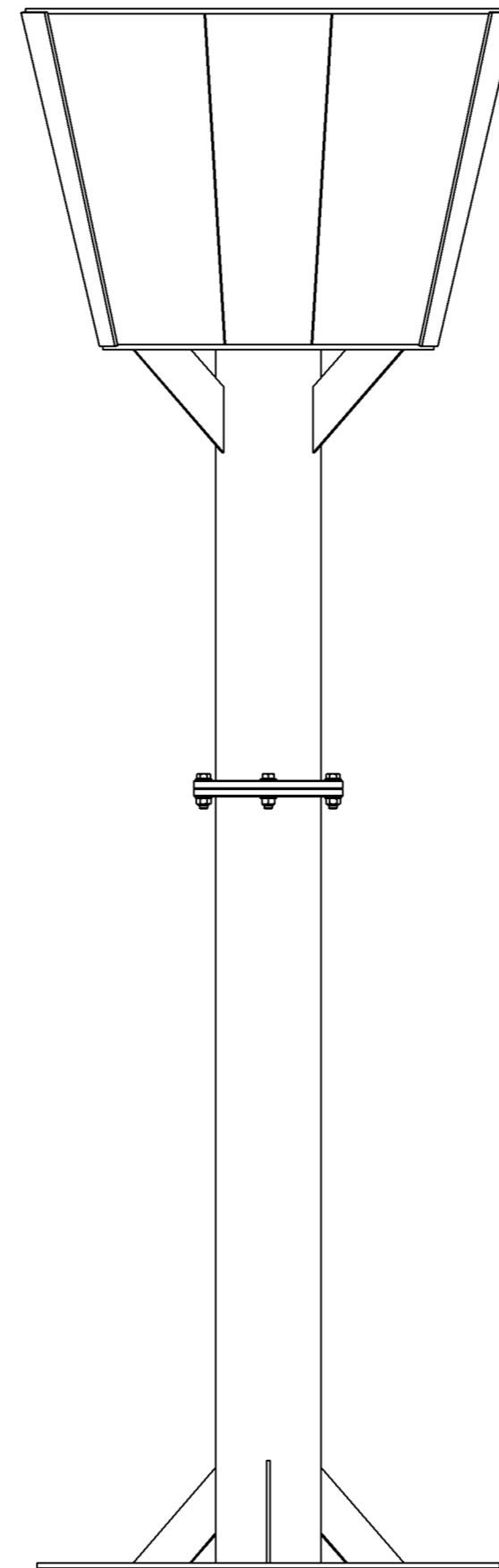
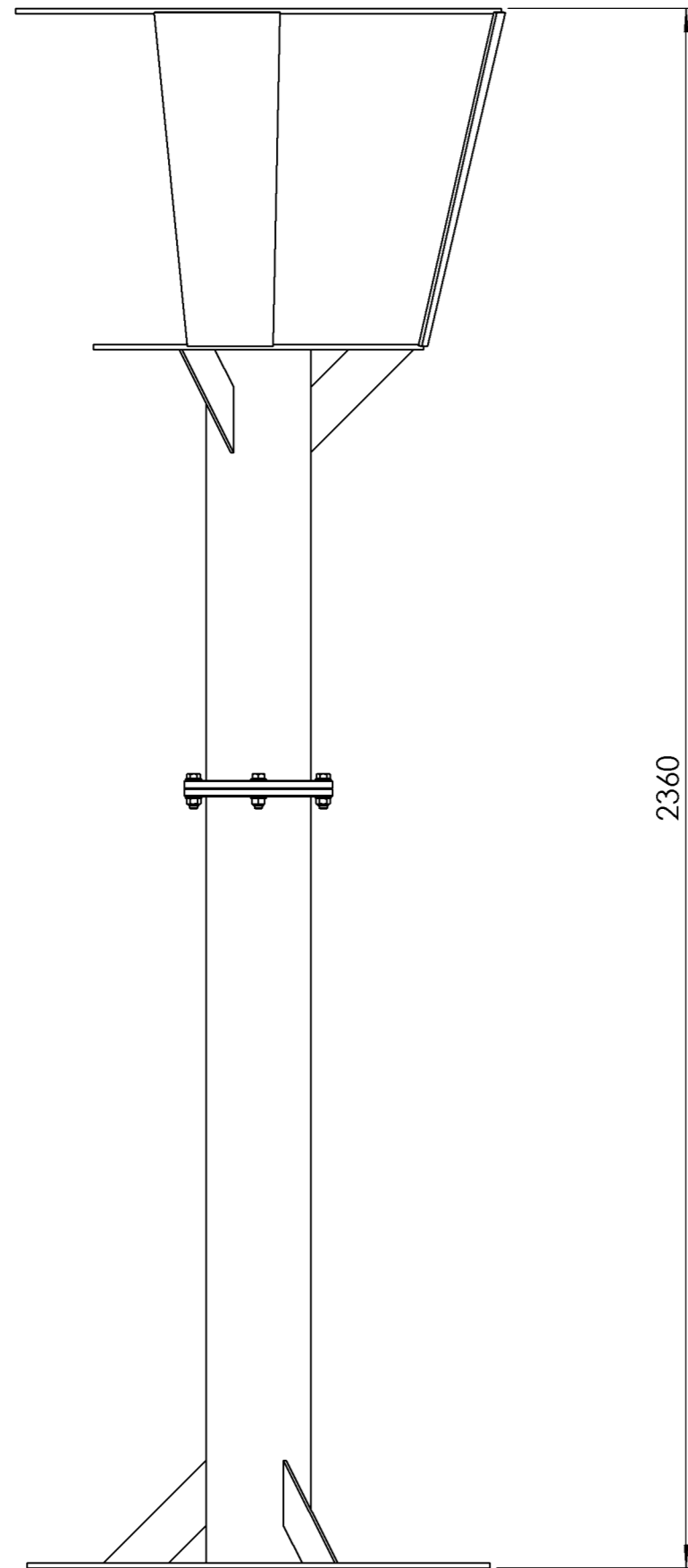
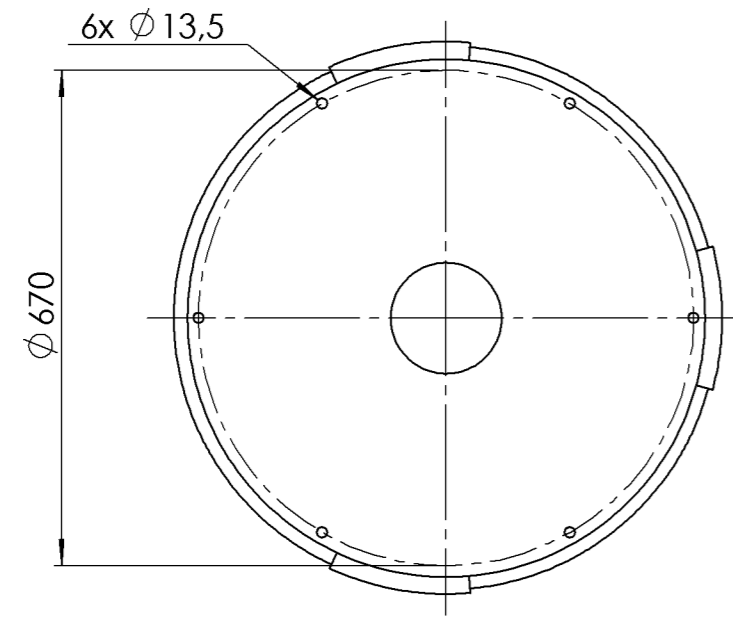


This document is property of Shine AB and may not without our written permission be copied, imparted to a third party or used for any unauthorized purpose.

Utg./Rev	Ändring/not.	Utfört datum/sign.	Godk. datum/sign.
A	Support plates added	050222/JSg	050222/CI



Pos.	Qty.	Description	Drawing/material	Dimension	Ref.std./Supl./Art./Note
5	4	Locking Nut		DIN 985 M12 fzb	
4	8	Washer		BRB 13 /DIN 125 fzb	
3	4	Screw		M6S M12x45 8.8 fzb	
2	1	Pillar stand lower assem	EM460-114		
1	1	Pillar stand upper assem	EM460-113		

Surface conditioning		Heat treatment		Asm.		 <b>1:10</b>
General tolerance SS-ISO 2768		General roughness, Ra		Denomination		
Drawn 041126 Sign JSg		<b>Pillar stand assem</b>  <b>Emma</b>				
Check Sign						
		Drawing nr.		Sheet 1 of 1		Mod.
		EM460-112				A

A B C D E F G H J K L