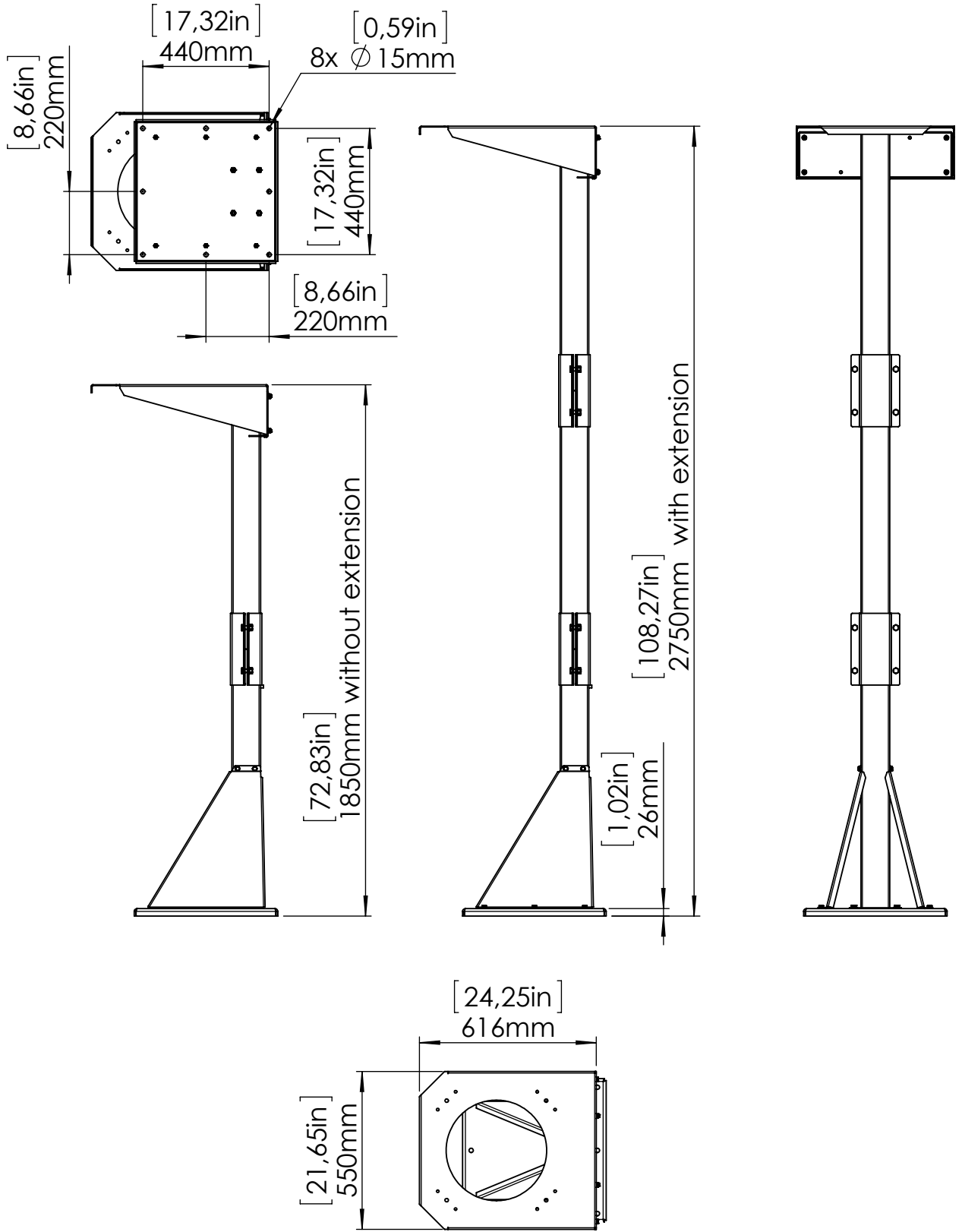


This document is property of 3nine AB and may not without our written permission be copied, imparted to a third party or used for any unauthorized purpose.



Surface conditioning		Heat treatment			Scale 1:20
General tolerance SS-ISO 2768		General roughness, Ra			
Drawn 130207	Sign JSg	Denomination			
Check.	Sign	<h1>Pillar stand</h1> <h2>Clara Lina Petra</h2>			
		Article nr.	250-012		Drawing nr.

A

B

C

D

1

2

3

4

5

6