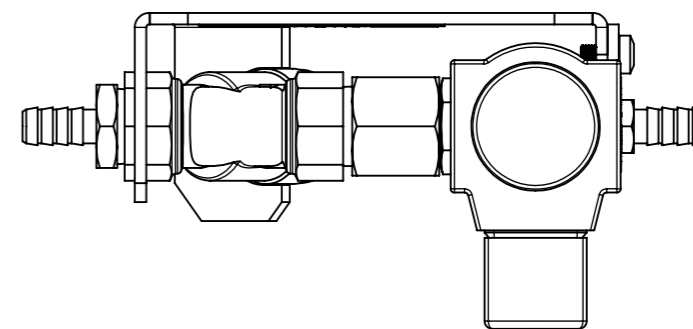
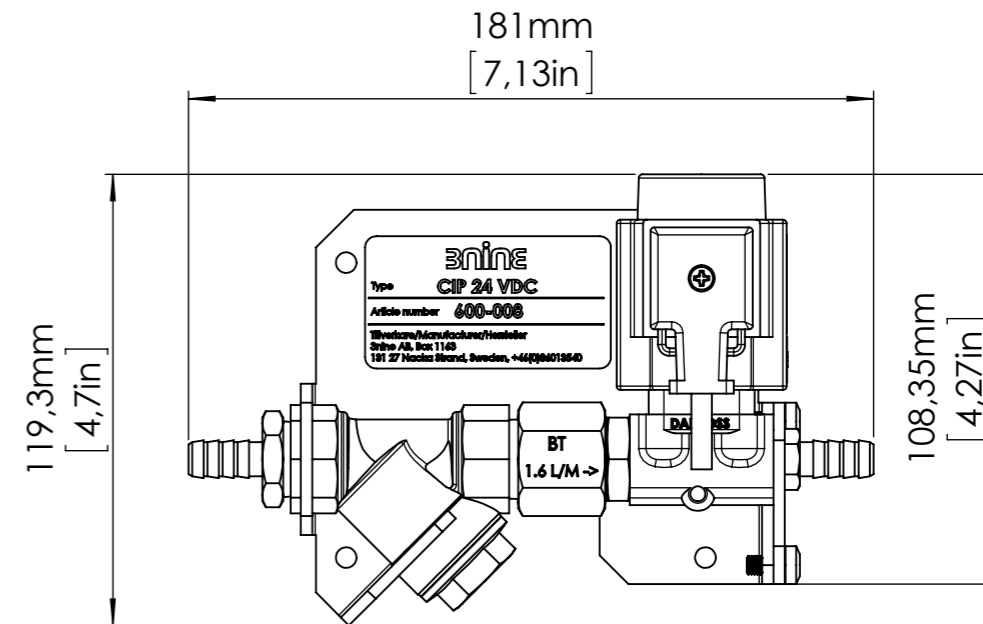
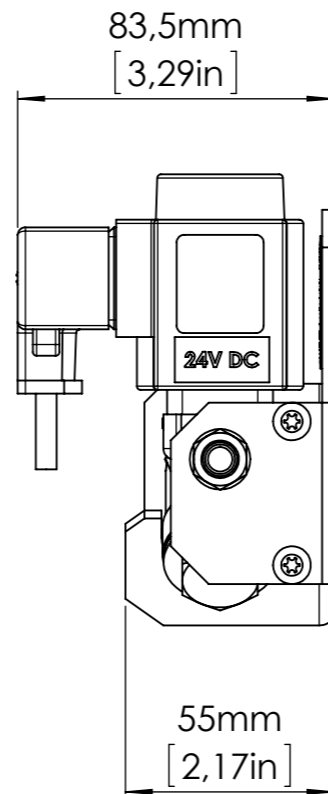
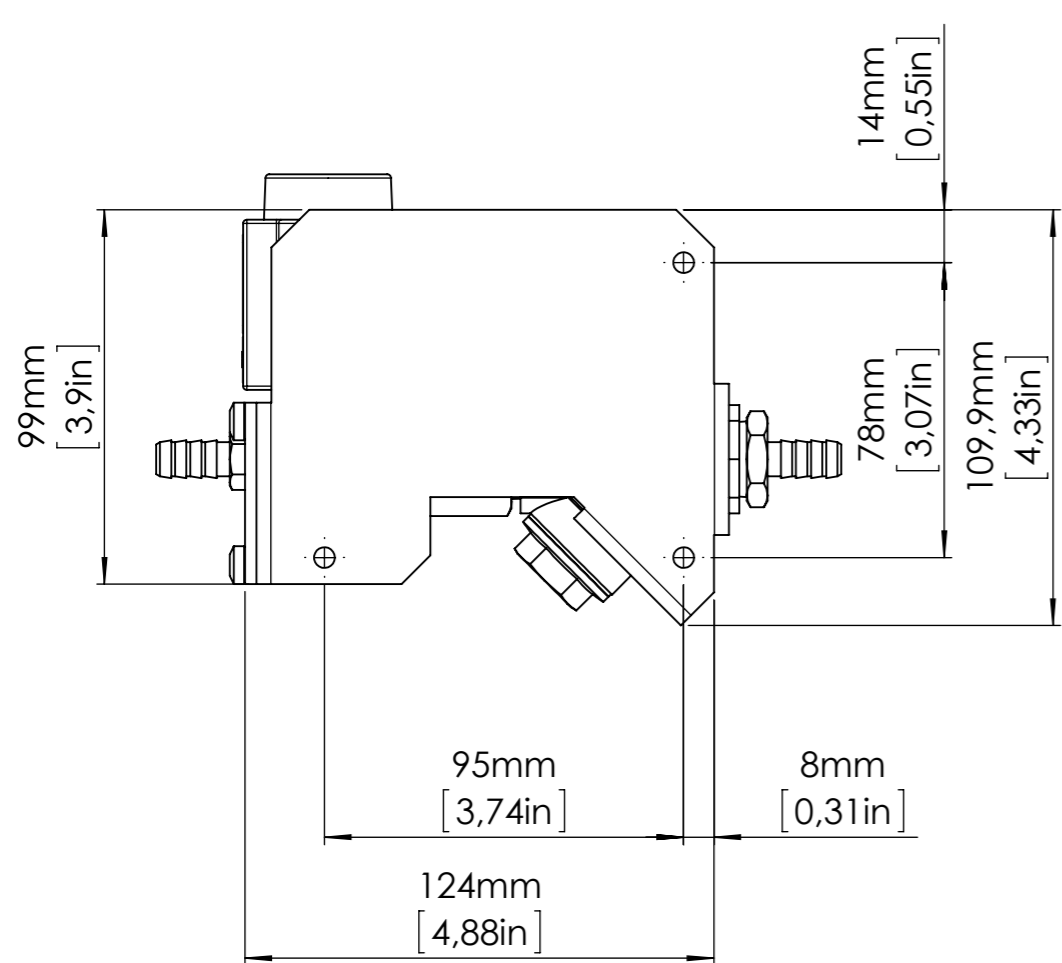


This document is property of 3nine AB and may not without our written permission be copied, imparted to a third party or used for any unauthorized purpose.



Surface conditioning		Heat treatment			Scale 1:2
General tolerance SS-ISO 2768		General roughness, Ra Asm.			
Drawn JSg	Sign	<p style="text-align: center;">CIP Assembly 24 VDC Dimension drawing Nova</p>			
Check.	Sign				
		Article nr.		Drawing nr.	
		600-008		DD600-008	
				Sheet 1 of 1	
				Mod.	

A B C D E F G H

6
5
4
3
2
1