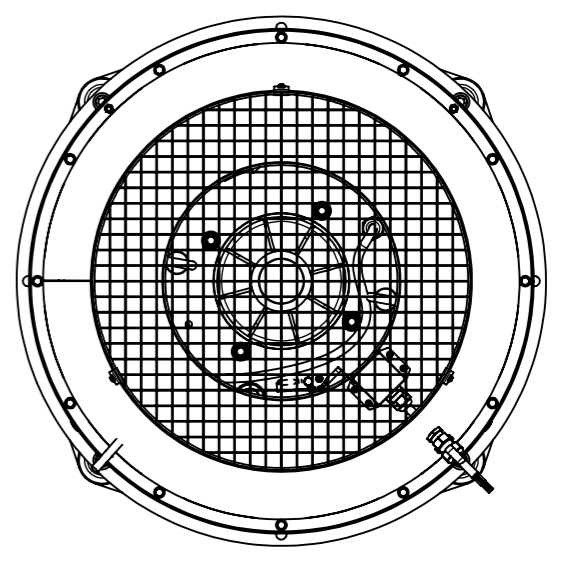
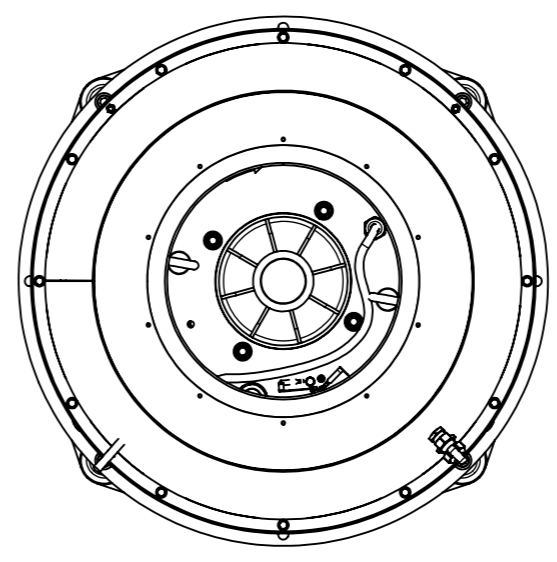
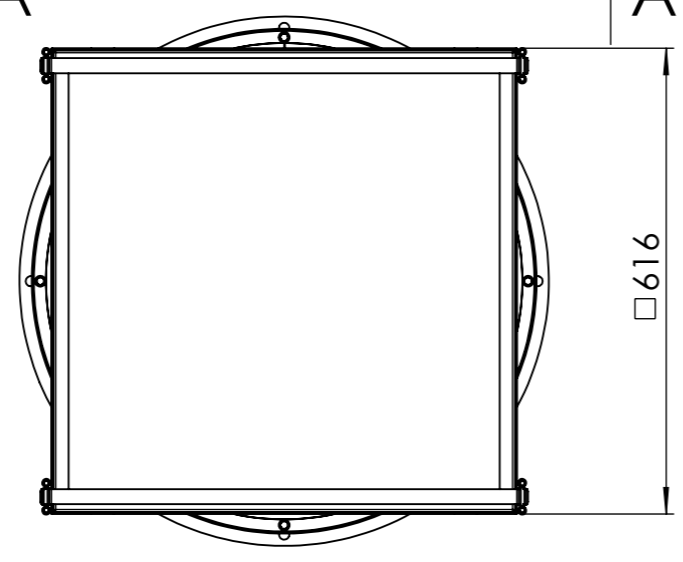
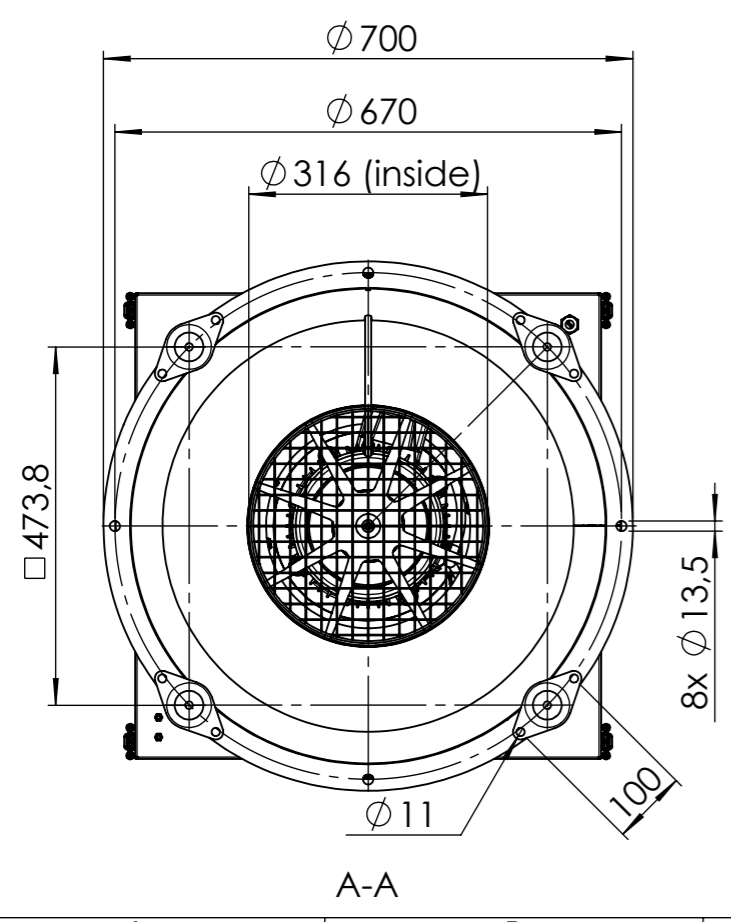
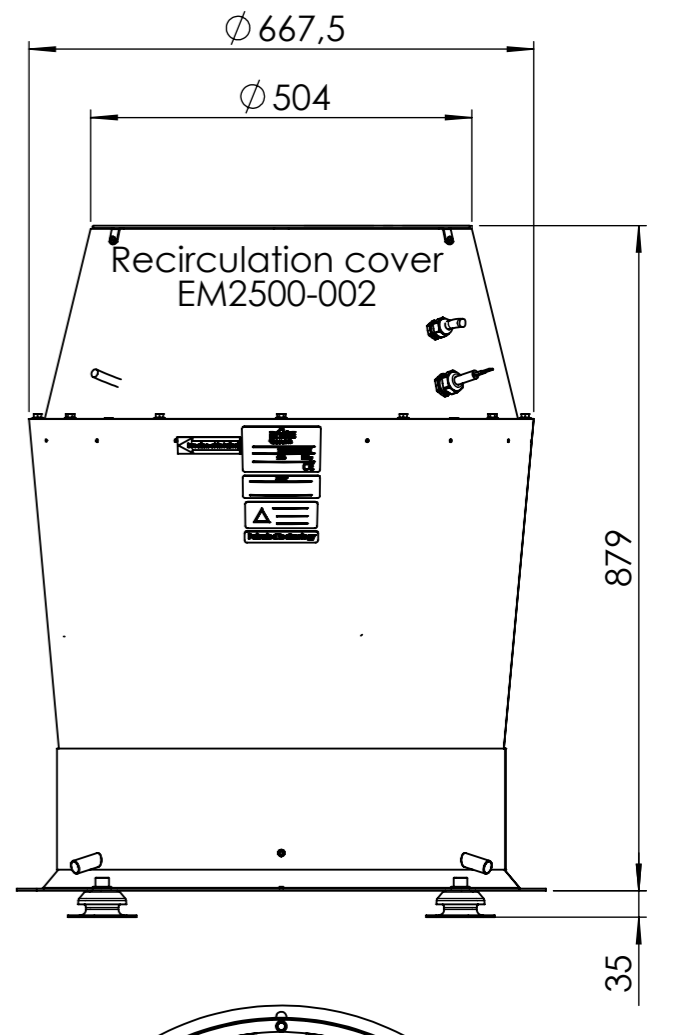
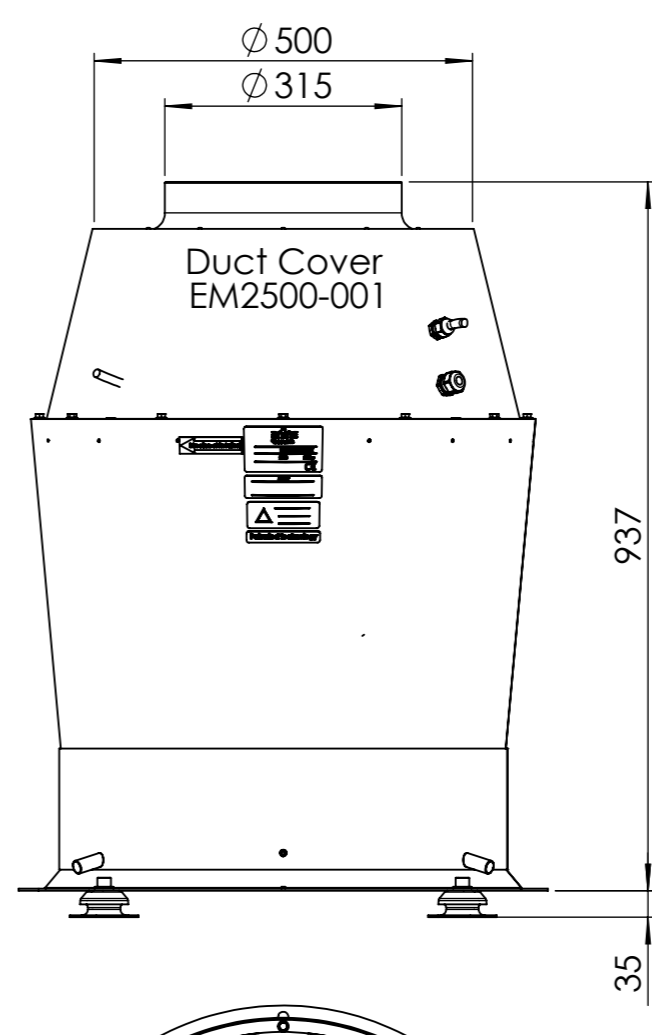
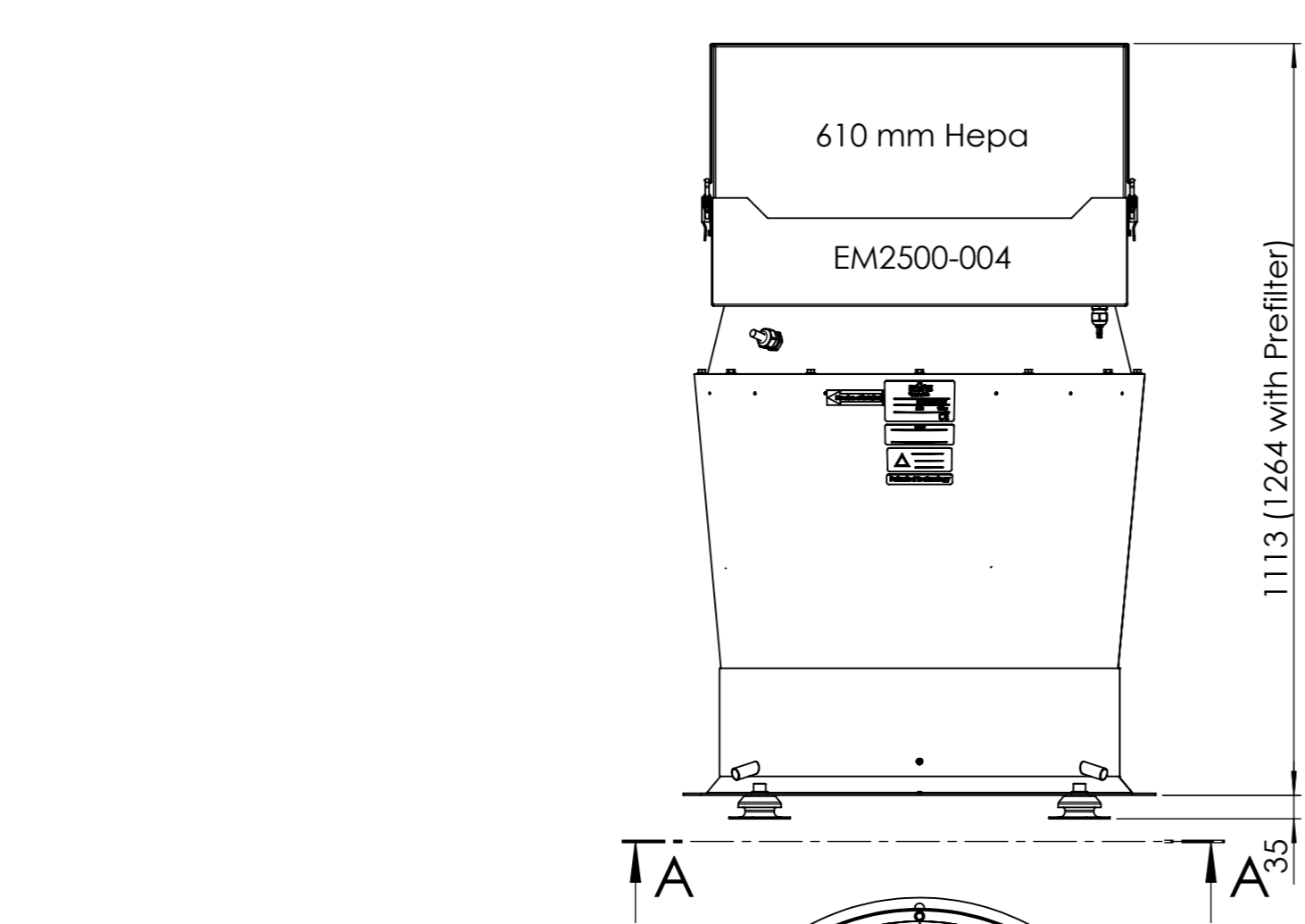


This document is property of 3nine AB, and may not without our written permission be copied, imparted to a third party or used for any unauthorized purpose.



| | | |
|-------------------------------|-----------------------|--|
| Surface conditioning | Heat treatment | Scale |
| General tolerance SS-ISO 2768 | General roughness, Ra | Asm. 1:10 |
| Drawn 061016 Sign JSg | Denomination | Emma alternatives Dimension drawing |
| Check. Sign | | |
| 3nine | | Article nr. |
| | | Drawing nr. Sheet 1 of 1 Mod. A |
| | | EM460-196 |

A B C D E F G H

6
5
4
3
2
1